



**Professional Rangetop w/Griddle
KRT364GD
Parts List**

**Hestan Commercial Corporation
3375 E. La Palma Ave.
Anaheim, CA 92806
(888)905-7463**

RETAIN THIS FOR FUTURE REFERENCE

6

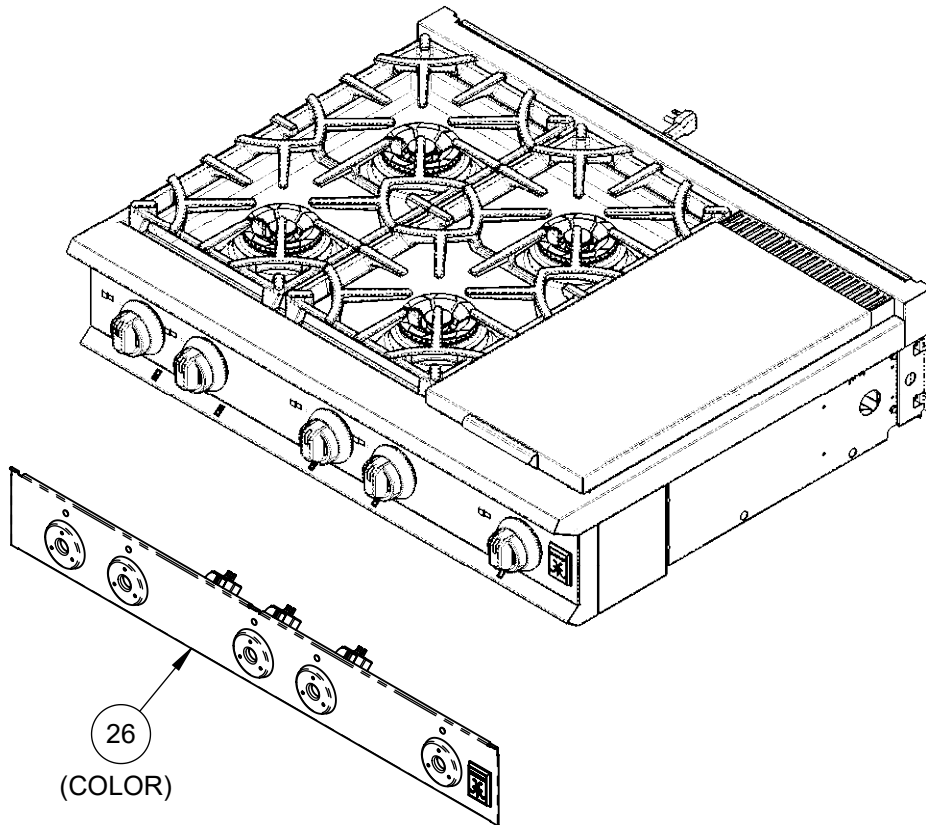
5

4

3

2

1



Color Extension (-XX)	Description
	Stainless Steel
-BK	Stealth - Black
-WH	Froth - White
-RD	Matador - Red
-YW	Sol - Yellow
-OR	Citra - Orange
-BG	Tin Roof - Burgundy
-PP	Lush - Purple
-BU	Prince - Blue
-GR	Grove - Green
-GG	Pacific Fog - Graphite Gray
-TQ	Bora Bora - Turquoise

SEE SHEET 8 FOR PARTS LIST

HESTAN

PROPRIETARY
NO PART OF THIS DOCUMENT MAY BE REPRODUCED,
STORED IN A RETRIEVAL SYSTEM, OR TRANSMITTED IN
ANY FORM, WITHOUT THE WRITTEN PERMISSION OF
Hestan Commercial Corporation. THIS DOCUMENT OR ANY
COPIES SHALL BE RETURNED UPON WRITTEN REQUEST.

DESCRIPTION

**SERVICE - RANGETOP, 4 BURNER WITH
GRIDDLE, 36"**

DRAWING NO

KRT364GD-SERVICE

REVISION

C

SHEET NO.

1 OF 9

6

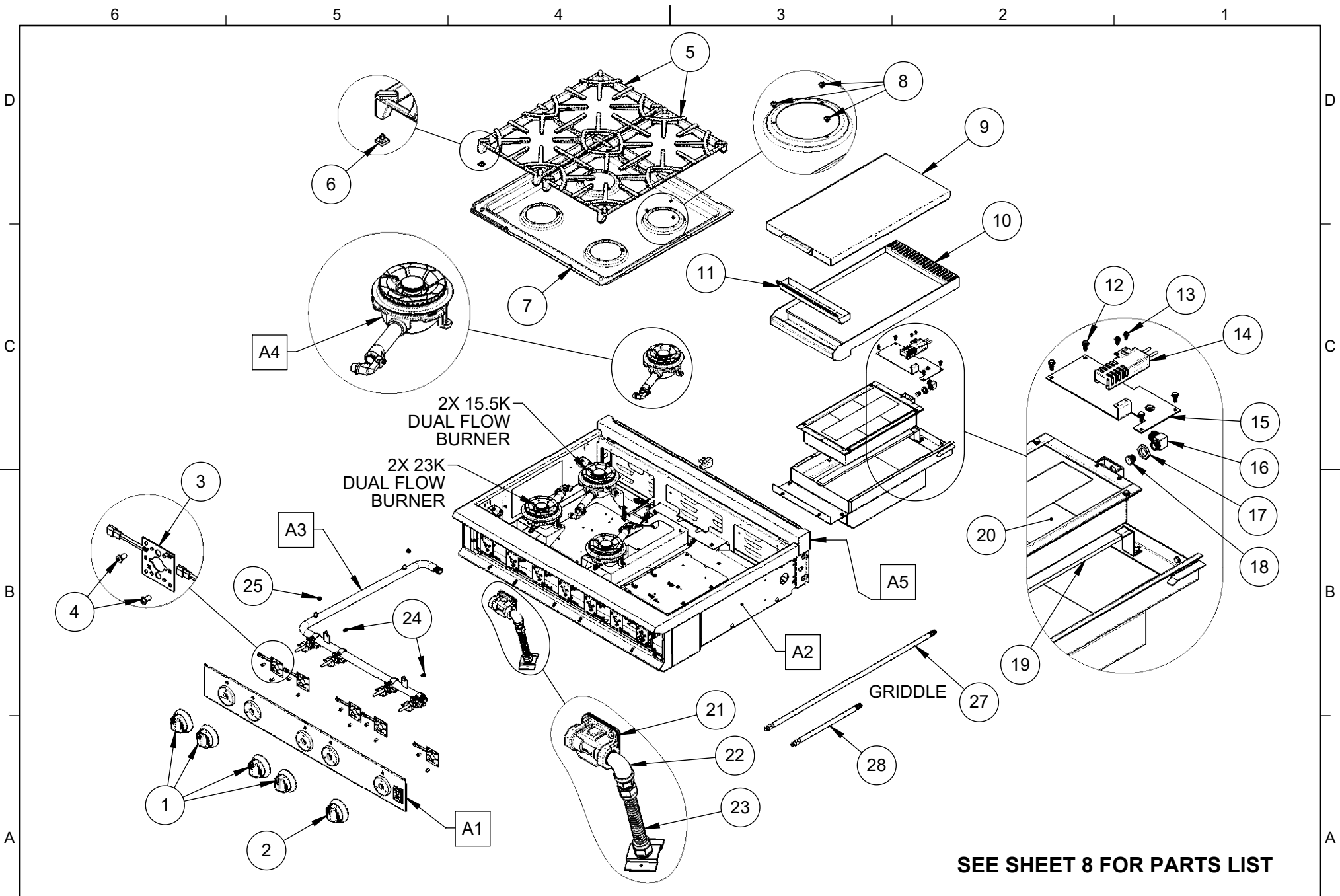
5

4

3

2

1



PROPRIETARY
 NO PART OF THIS DOCUMENT MAY BE REPRODUCED,
 STORED IN A RETRIEVAL SYSTEM, OR TRANSMITTED IN
 ANY FORM, WITHOUT THE WRITTEN PERMISSION OF
 Hestan Commercial Corporation. THIS DOCUMENT OR ANY
 COPIES SHALL BE RETURNED UPON WRITTEN REQUEST.

DESCRIPTION

**SERVICE - RANGETOP, 4 BURNER
 WITH GRIDDLE, 36"**

DRAWING NO

KRT364GD-SERVICE

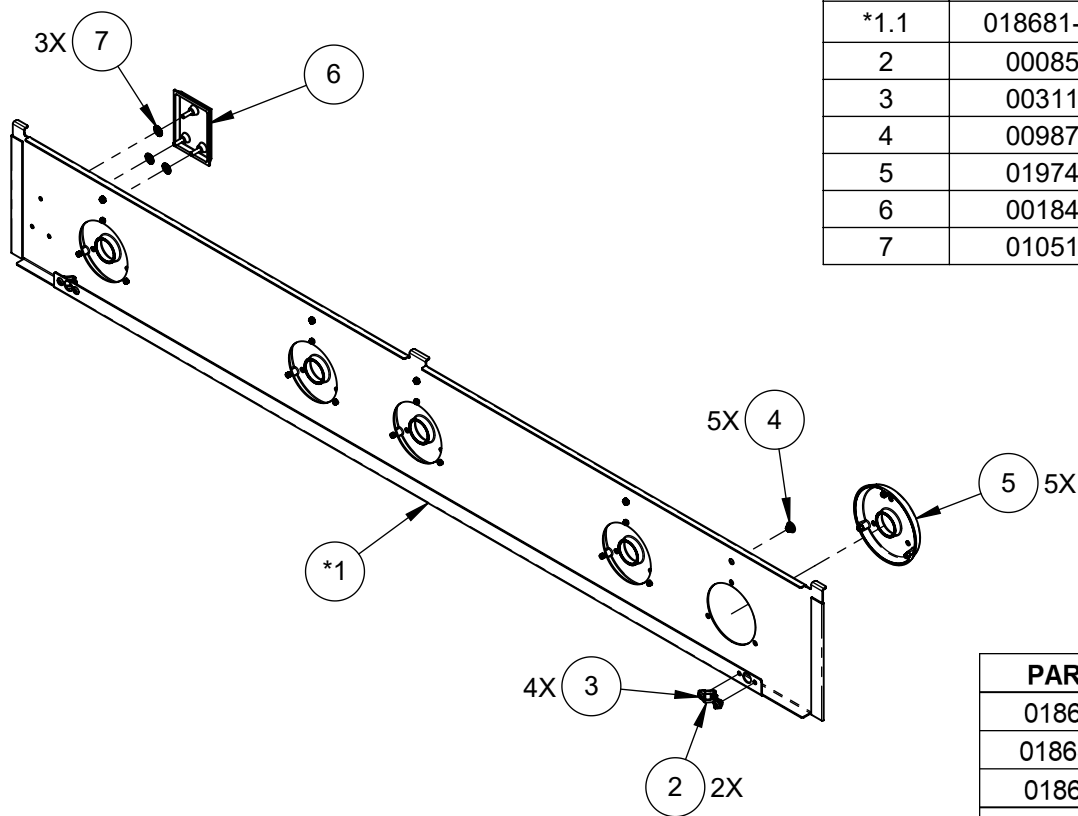
REVISION

C

SHEET NO.

2 OF 9

ITEM NO.	PART NUMBER	DESCRIPTION	QTY.
*1	018681	INSERT, CONTROL PANEL, 364 RANGETOP	1
*1.1	018681-XX	INSERT, CONTROL PANEL, 364 RANGETOP - (COLOR)	1
2	000852	RECEPTACLE, BALL STUD, 18LB PULL, ZN, C1663-028-3B	2
3	003110	POP RIVET, 1/8DIA X .275L, SS	4
4	009871	PLUG FOR 1/4-20 SHCS, CHROME	5
5	019744	DIFFUSER LENS, PRESS FIT	5
6	001842	LOGO, HESTAN, 2.125 x 1.56	1
7	010517	RETAINING RING, EXTERNAL, .125" DIAMETER SHAFT	3



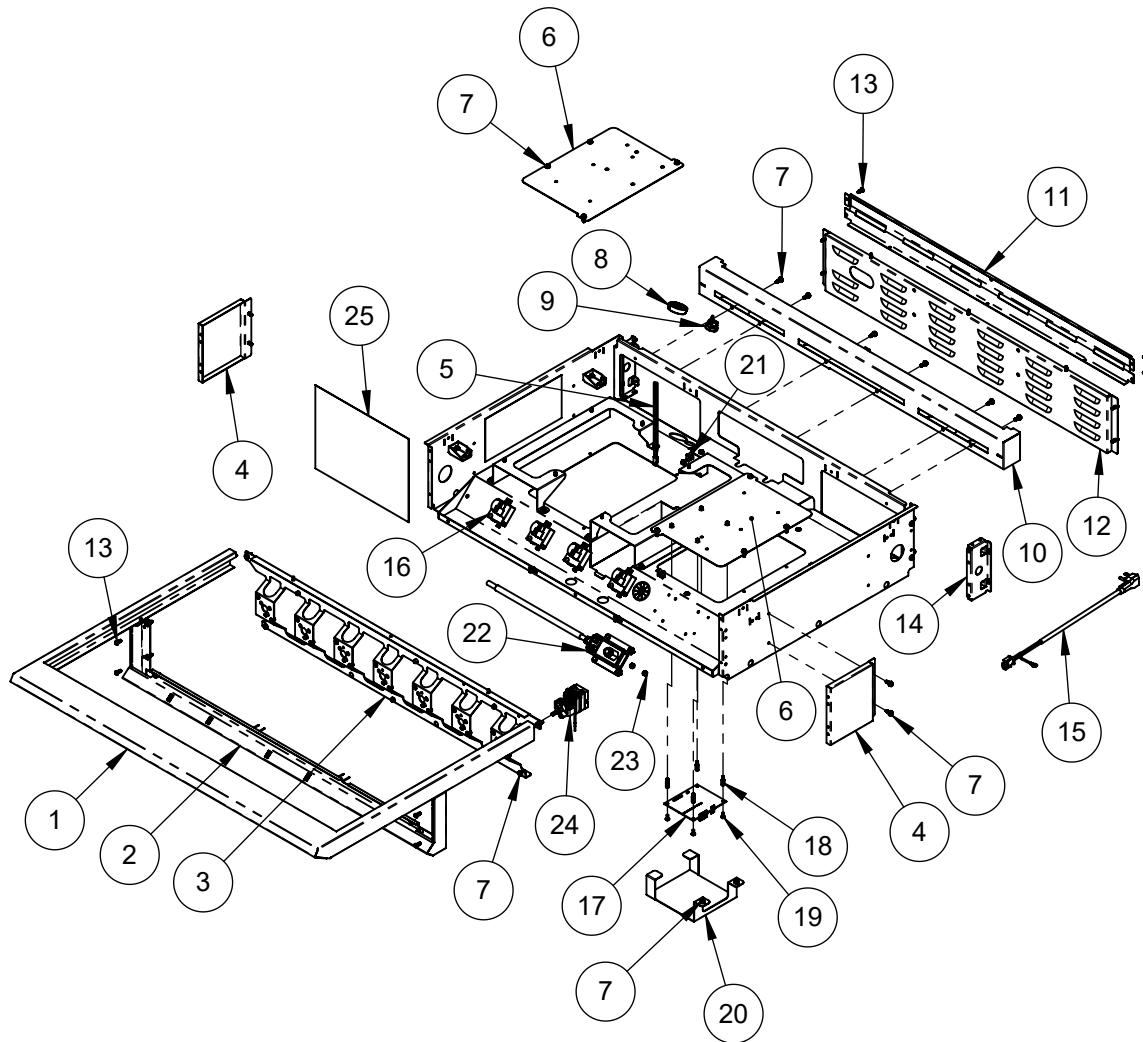
ADDITIONAL NOTES:

*SS MODEL RECEIVES ITEM 1
 COLORED MODEL RECEIVES 1.1

PART NO.	DESCRIPTION
018681-BK	INSERT, CONTROL PANEL, 364 RANGETOP - BLACK
018681-WH	INSERT, CONTROL PANEL, 364 RANGETOP - WHITE
018681-RD	INSERT, CONTROL PANEL, 364 RANGETOP - RED
018681-YW	INSERT, CONTROL PANEL, 364 RANGETOP - YELLOW
018681-OR	INSERT, CONTROL PANEL, 364 RANGETOP - ORANGE
018681-BG	INSERT, CONTROL PANEL, 364 RANGETOP - BURGUNDY
018681-PP	INSERT, CONTROL PANEL, 364 RANGETOP - PURPLE
018681-BU	INSERT, CONTROL PANEL, 364 RANGETOP - BLUE
018681-GR	INSERT, CONTROL PANEL, 364 RANGETOP - GREEN
018681-GG	INSERT, CONTROL PANEL, 364 RANGETOP - DARK GRAY
018681-TQ	INSERT, CONTROL PANEL, 364 RANGETOP - TURQUOISE



DESCRIPTION	SERVICE, ASSY, CONTROL PANEL INSERT, 364GD RANGETOP
DRAWING NO	A1

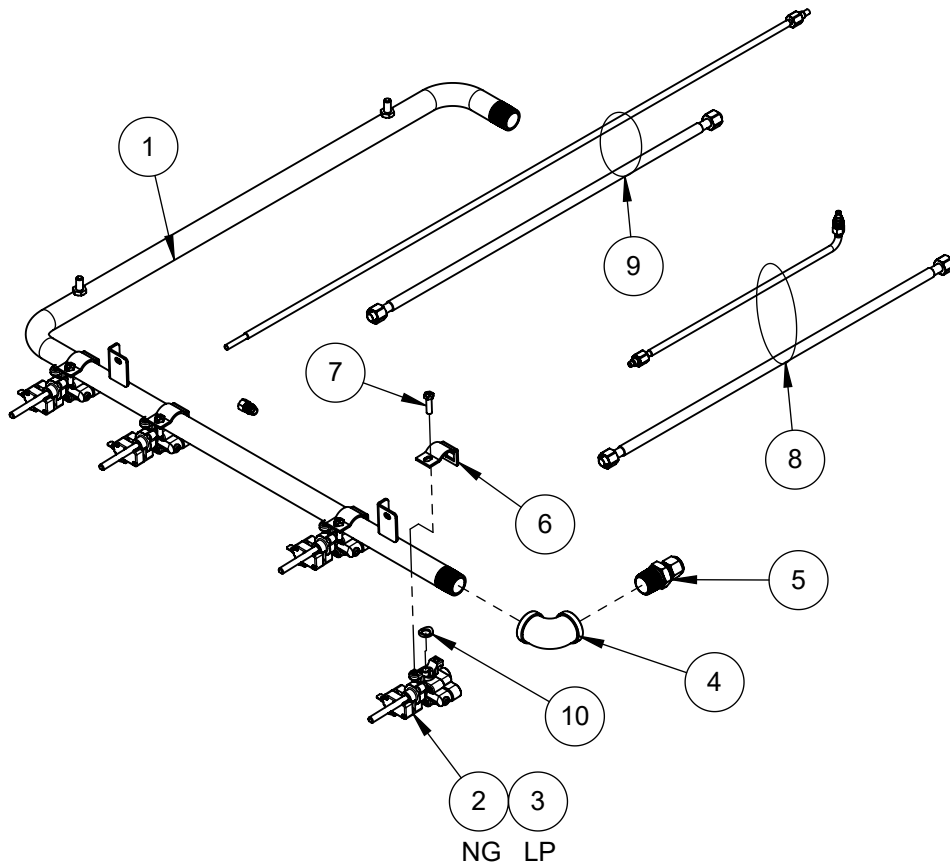


ITEM NO.	PART NO.	DESCRIPTION	QTY.
1	017793	BULLNOSE, RANGETOP, WA - 36	1
2	017784-2	CONTROL PANEL, CHIN, ASSY - 364	1
3	017874	CROSSMEMBER, FRONT, FRAME, RANGETOP - 36	1
4	019608	COVER, SIDE, RANGETOP, RESIDENTIAL INDOOR	2
5	026362	HARNESS, WIRE, RANGETOP/RANGE, 364GD (VW-1/FT1)	1
6	019412	COVER, OVEN ACCESS, RANGETOP	2
7	024263	SERVICE, SMS, #10-24 X .50, HEXWSH, TYPE F, SS, PKG 10	1
8	018393	SNAP BUSHING, 1.06" MAX ID, BLACK	2
9	005862	STRAIN RELIEF, SNAP-IN, 3/4" KNOCKOUT	1
10	033015	RISER, ISLAND, INNER SIDE MOUNT, RESIDENTIAL INDOOR - 36	1
11	019654	COVER, RISER, ISLAND, RESIDENTIAL INDOOR - 36	1
12	019680	REAR COVER, 36" RANGETOP	1
13	010242	SERVICE, SMS, #10-24 X 1/2, PH, PAN, TYPE F, SS, PKG 10	1
14	032936	BRACKET, MOUNTING, RISER, REAR ACCESS, RANGETOP	2
15	019868	CORD, POWER, 4 FT, 3/14 AWG, SJTW	1
16	032028	MODULE, RE-IGNITER, SINGLE POINT, RI 120F-1, 120V, 3mA	4
17	019678	LED DRIVER / ISOLATOR BOARD	1
18	024507	SERVICE, STANDOFF, MALE-FEMALE, 1/2"L, #8-32, PKG. 4	1
19	011857	SERVICE, MS, 8-32 X .375, PH, PAN, SS, PKG 6	1
20	020762	GUARD, ISOLATOR BOARD	1
21	033830	SERVICE, CABLE HOLDER, PUSH IN, 3/8" DIAMETER, PKG. 6	1
22	028060	GAS ASSY, GRIDDLE, 12	1
23	011711	SERVICE, NUT, KEPS, #8-32, SS, PKG 6	1
24	019530-S	SERVICE, THERMOSTAT ASSEMBLY, GRIDDLE, RESIDENTIAL INDOOR	1
25	026226	WIRING DIAGRAM, 364GD RANGETOP	1

HESTAN

DESCRIPTION	SERVICE, RANGETOP ASSY, 364GD
DRAWING NO	A2

ITEM NO.	PART NO.	DESCRIPTION	QTY.
1	018883	MANIFOLD, INDOOR, 364 RANGETOP	1
2	031680	VALVE, DUAL FLOW, RESIDENTIAL INDOOR - NG	4
3	031681	VALVE, DUAL FLOW, RESIDENTIAL INDOOR - LP	4
4	009279	ELBOW, 1/2 NPT	1
5	002934	ADAPTER, STRAIGHT, 1/2 NPT X 3/8" CC	1
6	018077	CLAMP, GAS VALVE, RESIDENTIAL INDOOR	4
7	024259	SERVICE, MS, M5 X 0.8 X 18, HEXHD, SS, PKG 5	1
8	021578-1	HOSE KIT, DUAL FLOW, RESIDENTIAL INDOOR - FRONT	2
9	021578-2	HOSE KIT, DUAL FLOW, RESIDENTIAL INDOOR - REAR	2
10	024444	SERVICE, GASKET, VALVE, SADDLE MOUNT, PKG 6	1



HESTAN

**SERVICE, MANIFOLD
ASSEMBLY, 364GD**

DESCRIPTION

DRAWING NO

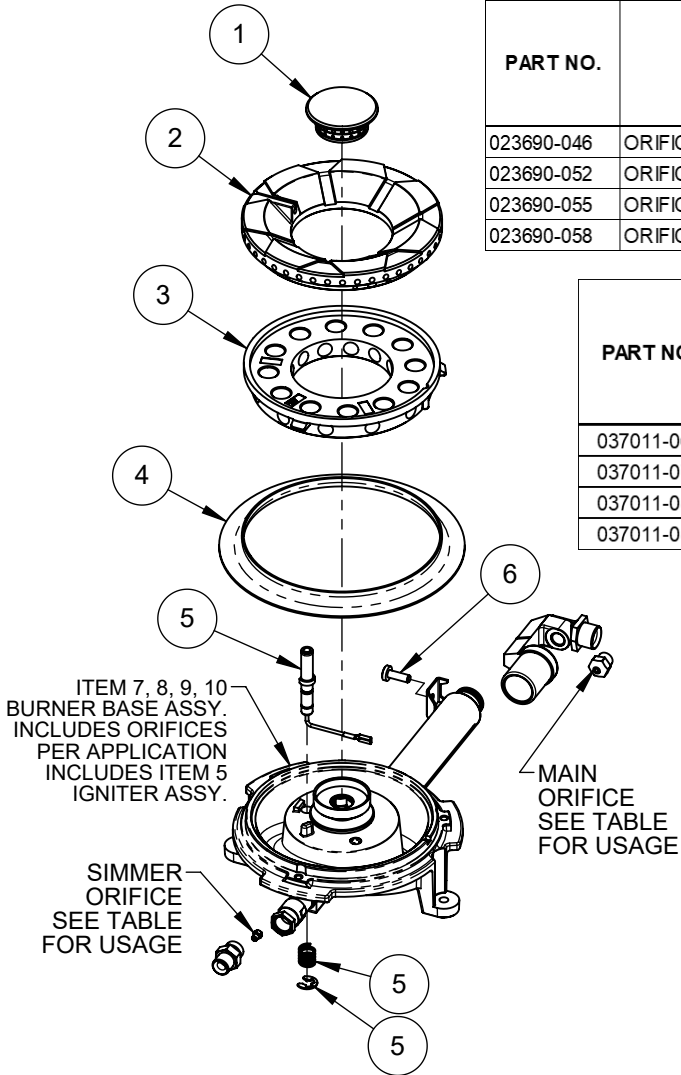
A3

REF 034033

PART NO.	SIMMER ORIFICES	Z (IN)	Z (MM)	STAMP	COLOR CODE	15.5k Dual Flow BURNER		23k Dual Flow BURNER	
						NG	LP	NG	LP
023698-073	ORIFICE, SIMMER, DUAL FLOW BURNER, INDOOR, #73	0.024	0.61	V	BLACK	X		X	
023698-078	ORIFICE, SIMMER, DUAL FLOW BURNER, INDOOR, #78	0.016	0.41	T	RED		X		X

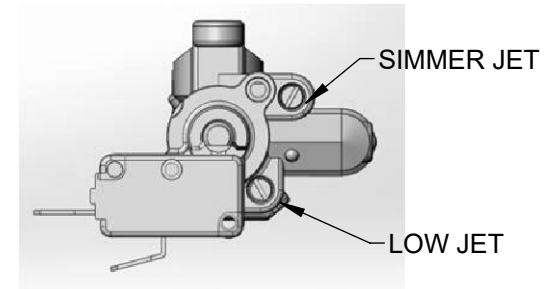
PART NO.	MAIN ORIFICES	Z (IN)	Z (MM)	STAMP	COLOR CODE	15.5k Dual Flow BURNER		23k Dual Flow BURNER	
						NG	LP	NG	LP
023690-046	ORIFICE, MAIN, DUAL FLOW BURNER, INDOOR, #46	0.081	2.05	-	YELLOW, BLACK			X	
023690-052	ORIFICE, MAIN, DUAL FLOW BURNER, INDOOR, #52	0.064	1.60	-	WHITE, BLACK	X			
023690-055	ORIFICE, MAIN, DUAL FLOW BURNER, INDOOR, #55	0.052	1.32	-	YELLOW, RED				X
023690-058	ORIFICE, MAIN, DUAL FLOW BURNER, INDOOR, #58	0.042	1.07	-	WHITE, RED		X		


PART NO.	VALVE ORIFICES (JETS)	Z (IN)	Z (MM)	COLOR CODE (COPRECI)	COLOR CODE (ISPHORDING)	Dual Flow VALVE Low Orifice		Dual Flow VALVE Simmer Orifice	
						NG	LP	NG	LP
037011-065	KIT, ORIFICE, VALVE, INDOOR, #65	0.035	0.88	-	BLACK	X			
037011-073	KIT, ORIFICE, VALVE, INDOOR, #73	0.024	0.61	-	RED		X		
037011-080	KIT, ORIFICE, VALVE, INDOOR, #80	0.0135	0.34	-	YELLOW			X	
037011-087	KIT, ORIFICE, VALVE, INDOOR, #87	0.010	0.25	-	WHITE				X



DUAL BURNER ASSY.

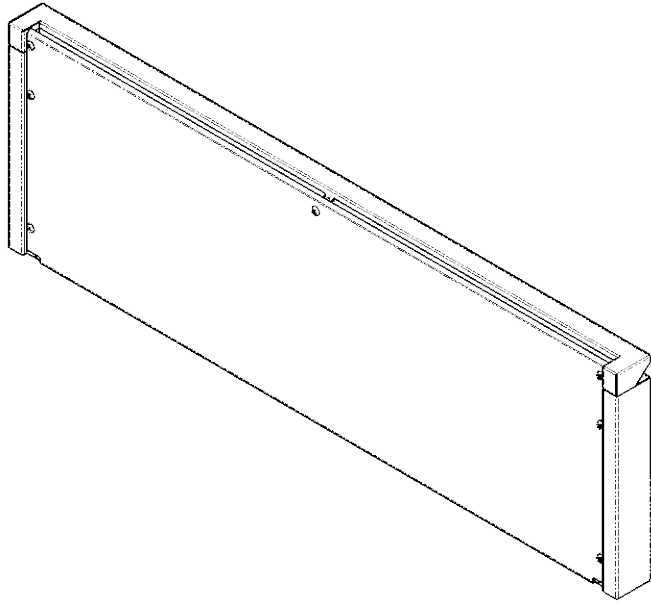
ITEM NO.	PART NO.	DESCRIPTION	QTY.
1	018436	D-INNER BURNER HEAD, DUAL FLOW, RESIDENTIAL INDOOR	1
2	018419	D-DUAL BURNER HEAD, DUAL FLOW, RESIDENTIAL INDOOR	1
3	018418	D-CROSS RING, DUAL FLOW, RESIDENTIAL INDOOR	1
4	018421	D-BEAUTY RING, DUAL FLOW, RESIDENTIAL INDOOR	1
5	024189	SERVICE, IGNITOR KIT, DUAL FLOW BURNER	1
6	024244	SERVICE, MS, M4 X 12, SEALED BURNER, PKG 4	1
7	020399	BURNER BASE ASSY, DUAL FLOW, 23K - NG	2
8	020401	BURNER BASE ASSY, DUAL FLOW, 23K - LP	2
9	020400	BURNER BASE ASSY, DUAL FLOW, 15.5K - NG	2
10	020402	BURNER BASE ASSY, DUAL FLOW, 15.5K - LP	2



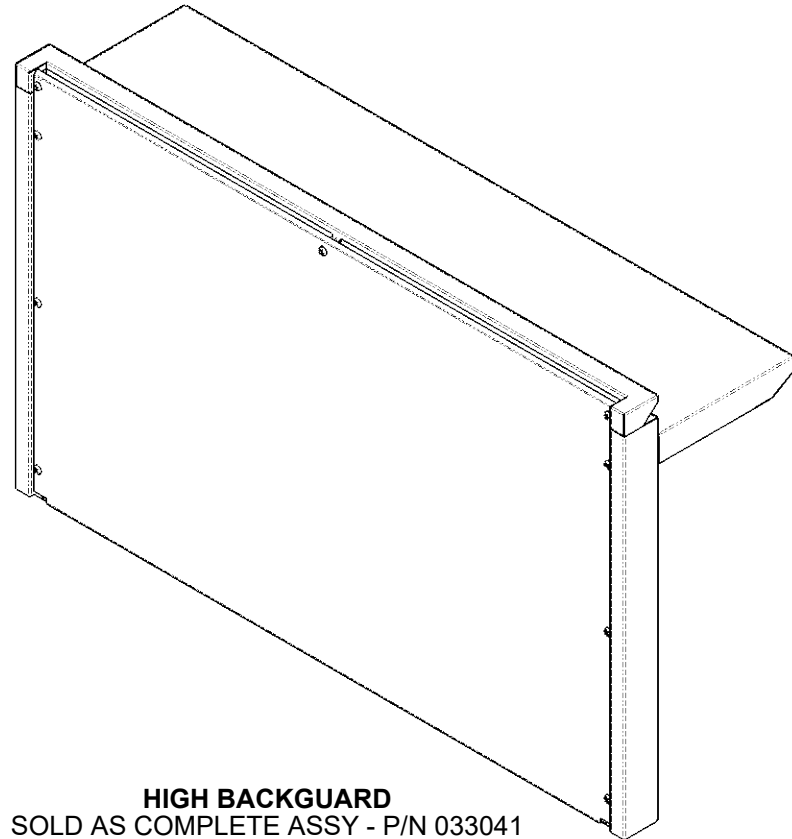
 **HESTAN**
SERVICE, DUAL FLOW BURNER ASSY.
A4

DESCRIPTION

DRAWING NO



LOW BACKGUARD
SOLD AS COMPLETE ASSY - P/N 033028
(KBGLB36)



HIGH BACKGUARD
SOLD AS COMPLETE ASSY - P/N 033041
(KBGHS36)
OR SHELF ONLY - P/N 020300



DESCRIPTION	SERVICE, OTHER BACKGUARDS - 36"
DRAWING NO	A5

6

5

4

3

2

1

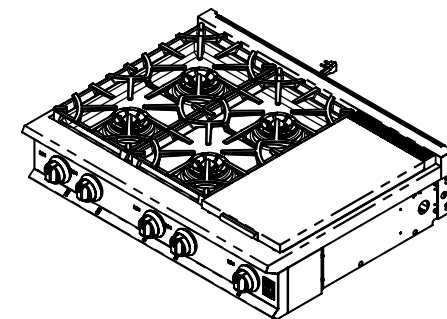
REPLACEMENT PARTS - KRT364GD

ITEM	DESCRIPTION	
A1	SERVICE, ASSY, CONTROL PANEL INSERT, 364GD RANGETOP	SEE SUB-ASSEMBLY FOR PARTS BREAKDOWN
A2	SERVICE, RANGETOP ASSY, 364GD	SEE SUB-ASSEMBLY FOR PARTS BREAKDOWN
A3	SERVICE, MANIFOLD ASSEMBLY, 364GD	SEE SUB-ASSEMBLY FOR PARTS BREAKDOWN
A4	SERVICE, DUAL FLOW BURNER ASSY.	SEE SUB-ASSEMBLY FOR PARTS BREAKDOWN
A5	SERVICE, OTHER BACKGUARDS - 36"	SEE SUB-ASSEMBLY FOR PARTS BREAKDOWN



All warranty and non-warranty repairs should be performed by qualified service personnel. To locate an authorized service agent, contact your Hestan dealer, local representative, or the manufacturer. Before you call, please have the model number and serial number information ready.
Hestan Commercial Corp.
(888) 905-7463

ITEM	PART NUMBER	DESCRIPTION	QTY.
1	018170	KNOB ASSEMBLY, MAIN BURNER, RESIDENTIAL INDOOR	4
2	027474	KNOB ASSEMBLY, GRIDDLE TEMP, GAS, RESIDENTIAL INDOOR	1
3	017612	LED MODULE, KNOB LIGHTING	5
4	011857	SERVICE, MS, 8-32 X .375, PH, PAN, SS, PKG 6	1
5	018251	GRATE ASSEMBLY, DUAL, RESIDENTIAL INDOOR	2
6	025945	SERVICE, GRATE, FOOTPAD, PKG 4	1
7	018180	DRIP PAN, 244 RANGETOP	1
8	024305	SERVICE, MS, M4 X 5MM, PH, PAN, SS, PKG 6	1
9	028052	COVER, GRIDDLE, ASSY, RESIDENTIAL INDOOR - 12 GAS	1
10	027640	GRIDDLE PLATE, RESIDENTIAL INDOOR, WA - 12	1
11	018638-BK	GREASE TRAY, GRIDDLE, RESIDENTIAL INDOOR, TEFLON COATED	1
12	024263	SERVICE, SMS, #10-24 X .50, HEXWSH, TYPE F, SS, PKG 10	1
13	032596	SERVICE, SMS, #8 X 3/8, SLOT, HEXWSH, SS, PKG 6	1
14	025100	IGNITER, HOT SURFACE, 3.2 TO 3.6 AMP	1
15	026849	COVER, TRAY, BURNER, INDOOR RESIDENTIAL	1
16	002513	ELBOW, ORIFICE, IR BURNER	1
17	008280	NUT, PANEL, 3/8" NPS	1
18	002865-050	ORIFICE, SPUD # 50 - NG	1
	002865-056	ORIFICE, SPUD # 56 - LP	1
19	027496	FRONT, FIREBOX, GRIDDLE, WA	1
20	026719	BURNER, INFRARED, GRIDDLE, RESIDENTIAL INDOOR	1
21	018882	REGULATOR, STRAIGHT-THRU, 1/2"NPT, CONVERTIBLE, DD-RV48 (5"/10"w.c.)	1
	021649	REGULATOR, STRAIGHT-THRU, 1/2"NPT, CONVERTIBLE, DD-RV48, 5/10, CONVERTED TO LP	1
22	007508	ELBOW, 1/2 FNPT X 1/2 MNPT, 90 DEG	1
23	020677	HOSE, FLEX, 5/8OD X 1/2MIP X 3/4MIP W/ BRACKET, 8"	1
24	024260	SERVICE, MS, 10-24 X 1/2, HEX HD W/ LOCK WASHER, ZN, PKG 10	1
25	011715	SERVICE, NUT, KEPS, 1/4-20, ZN, PKG 4	1
26	034027-XX	SERVICE, ASSY, CONTROL PANEL INSERT, 364GD RANGETOP	1
27	035090-030	SERVICE, HOSE, FLEX, 3/8 OD, F-M, NUT/FERRULE TO LOXIT - 30"	1
28	035090-012	SERVICE, HOSE, FLEX, 3/8 OD, F-M, NUT/FERRULE TO LOXIT - 12"	1



SEE SHEET 1 FOR ITEM 26



PROPRIETARY
NO PART OF THIS DOCUMENT MAY BE REPRODUCED,
STORED IN A RETRIEVAL SYSTEM, OR TRANSMITTED IN
ANY FORM, WITHOUT THE WRITTEN PERMISSION OF
Hestan Commercial Corporation. THIS DOCUMENT OR ANY
COPIES SHALL BE RETURNED UPON WRITTEN REQUEST.

DESCRIPTION

**SERVICE - RANGETOP, 4 BURNER WITH
GRIDDLE, 36"**

DRAWING NO

KRT364GD-SERVICE

REVISION

C

SHEET NO.

8 OF 9

6

5

4

3

2

1

6

5

4

3

2

1

D

D

C

C

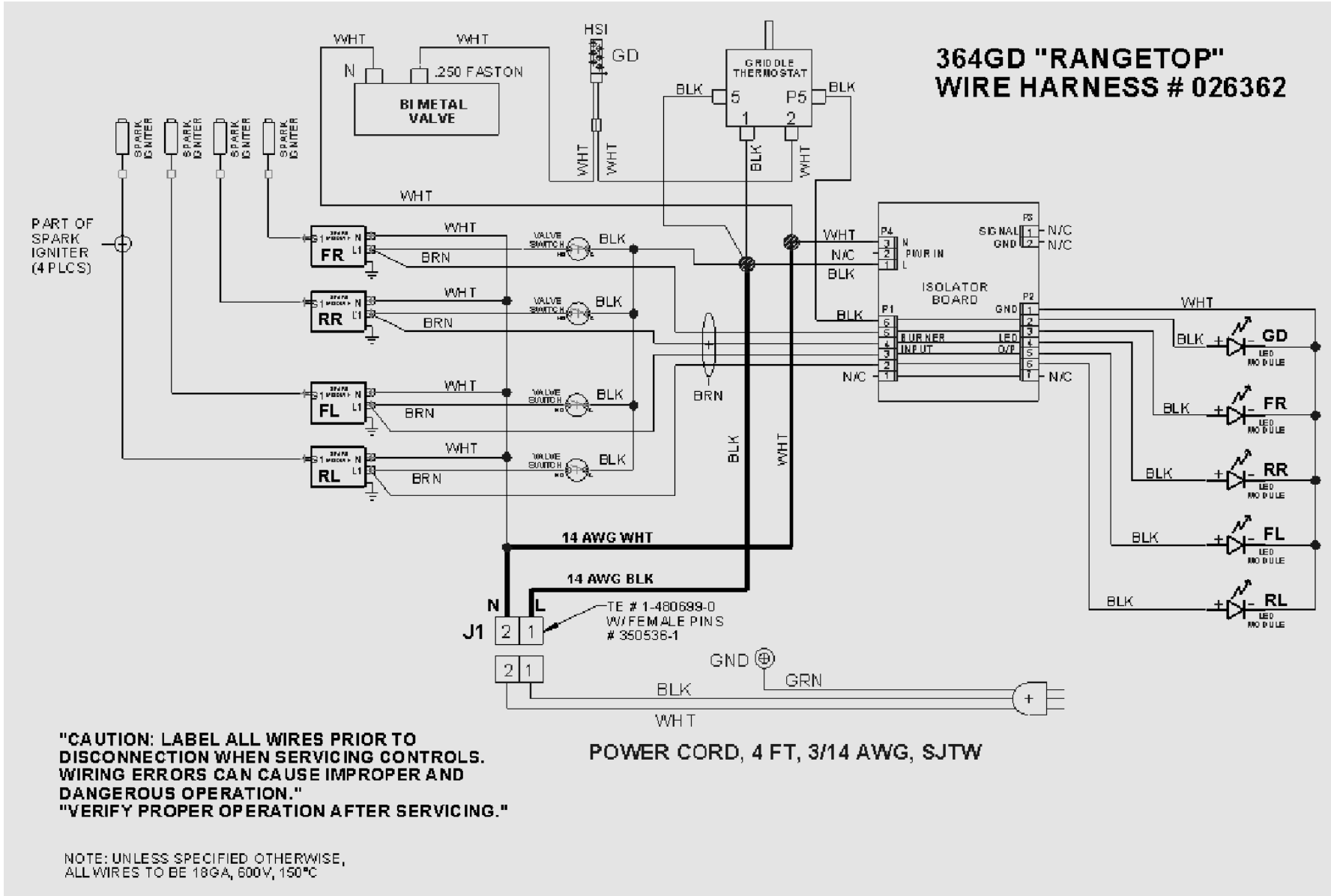
B

B

A

A

364GD "RANGETOP" WIRE HARNESS # 026362



"CAUTION: LABEL ALL WIRES PRIOR TO DISCONNECTION WHEN SERVICING CONTROLS. WIRING ERRORS CAN CAUSE IMPROPER AND DANGEROUS OPERATION."
"VERIFY PROPER OPERATION AFTER SERVICING."

NOTE: UNLESS SPECIFIED OTHERWISE, ALL WIRES TO BE 18GA, 600V, 150°C

POWER CORD, 4 FT, 3/14 AWG, SJTW

WIRING DIAGRAM, 364GD RANGETOP 026226



PROPRIETARY
 NO PART OF THIS DOCUMENT MAY BE REPRODUCED, STORED IN A RETRIEVAL SYSTEM, OR TRANSMITTED IN ANY FORM, WITHOUT THE WRITTEN PERMISSION OF Hestan Commercial Corporation. THIS DOCUMENT OR ANY COPIES SHALL BE RETURNED UPON WRITTEN REQUEST.

DESCRIPTION

SERVICE - RANGETOP, 4 BURNER WITH GRIDDLE, 36"

DRAWING NO

KRT364GD-SERVICE

REVISION

C

SHEET NO.
9 OF 9

6

5

4

3

2

1